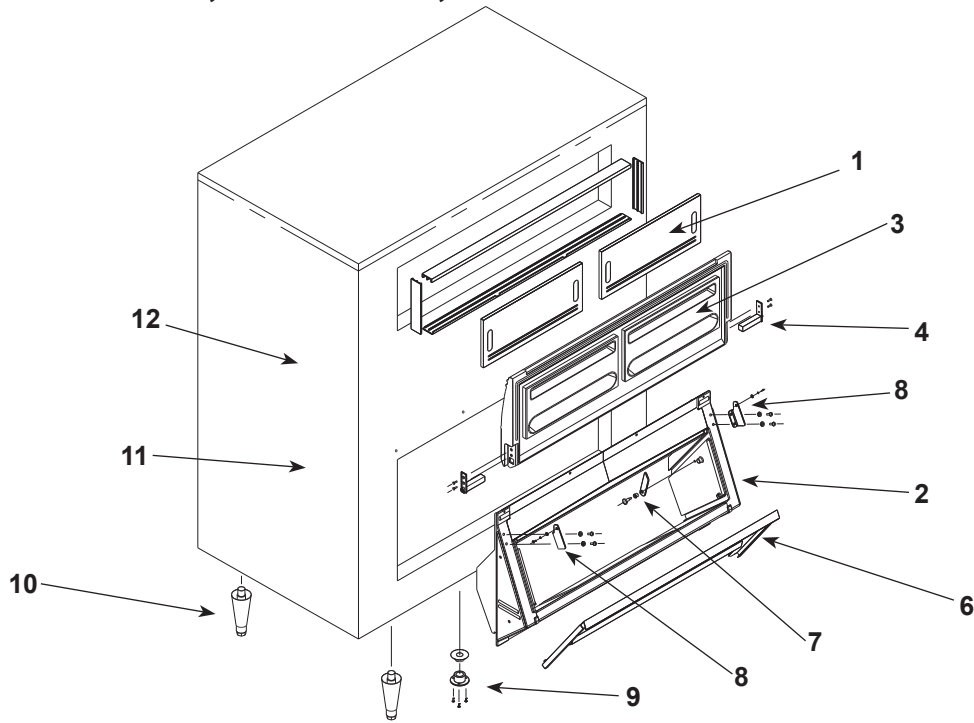


BL1048S, BL1360S, BL1660S Service Parts



Item Number	Part Number	Description
1	02-5188-01	(2) Inspection windows, 21.125"W x 8.625"H
2	02-5188-03	Frame assembly, lower door, 45", ICS1360/ICS1790 (includes 02-5188-05 & 02-5188-09)
3	02-5188-05	Door, outer lift, 45" (includes 02-5188-07 & 02-5188-08)
4	02-5188-07	Hinge, RH door mount (includes hardware)
5	02-5188-08	Hinge, LH door mount (includes hardware)
6	02-5188-09	Ice Gate, 40"
7	02-5188-11	Catch, Ice Gate
8	02-5188-12	Hinge bracket, bin mount, LH/RH, (pair, includes hardware)
9	02-3769-01	Drain assembly, plastic
10	02-5188-14	Legs, 6" stainless steel (set of 4)
10	02-5188-15	Legs, 6" stainless steel flanged foot (set of 4)
10	02-5188-16	Legs, 10" stainless steel flanged foot (set of 4)
11	02-5188-23	Paddle, ice, 59"
12	02-5188-24	Bracket, paddle
Not shown	02-5188-17	Shovel, ice
Not shown	02-5188-18	Bracket, ice shovel
Not shown	02-5188-20	Rake, ice, 48"
Not shown	02-5188-21	Bracket, rake